

DCon

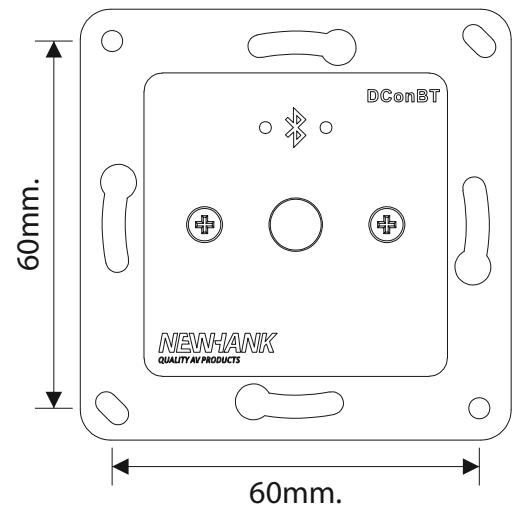
Mounting instructions



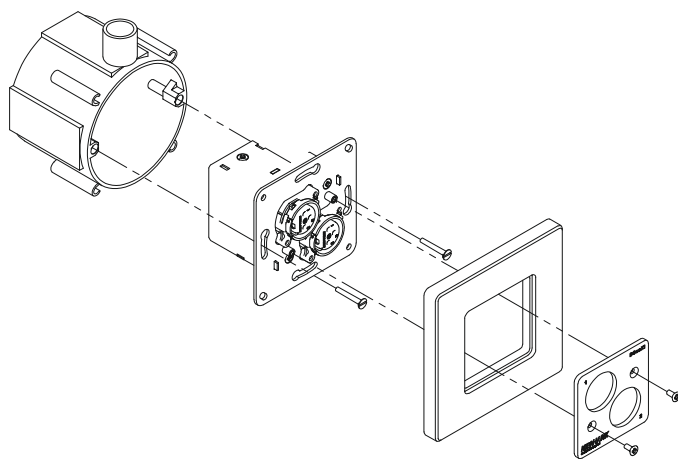
DCon is designed to fit EU standard in-wall junction boxes with a depth of 50mm.

The fixing plate can be mounted using two screws spaced 60mm apart, either horizontally or vertically, in a junction box. Additionally, DCon can be mounted to any surface by utilizing the 60x60mm grid located at the corners of the fixing plate.

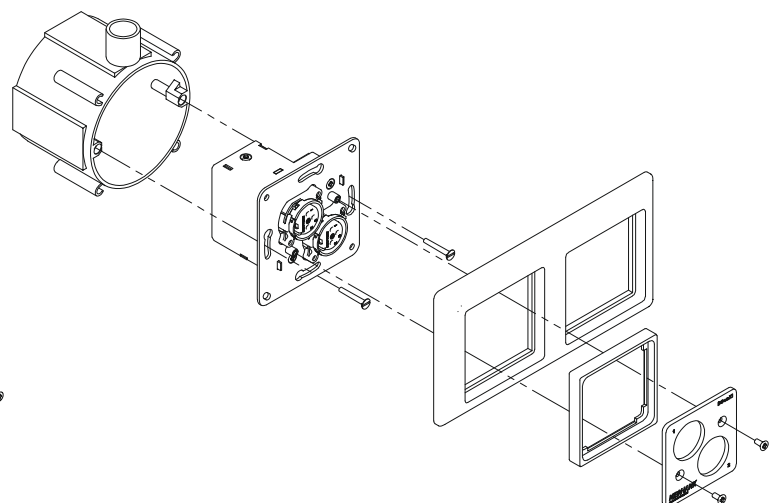
DCon is supplied with a 90x90mm frame. Alternatively, any DIN 49 075 (50x50mm faceplate) compliant frame provided by switchgear manufacturers can be used.



Mounting in the supplied DCon frame



Mounting in universal frame with adapter frame supplied by switch gear manufacturer



For latest product information, visit our website:
www.newhank.com