

MIPRO[®]

Antenna Booster User Guide

MPB-24
2.4 GHz



MPB-58
5.8 GHz



I. Parts Name. Fig. 1

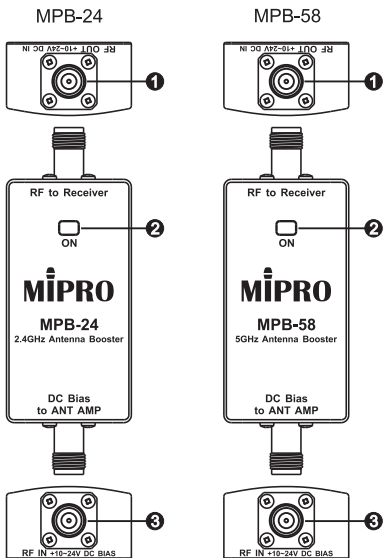


Fig. 1

- ❶ RF Output Connector
- ❷ Power Indicator
- ❸ RF Input Connector

II. MPB-24 Application

1. General Environment. Fig. 2:

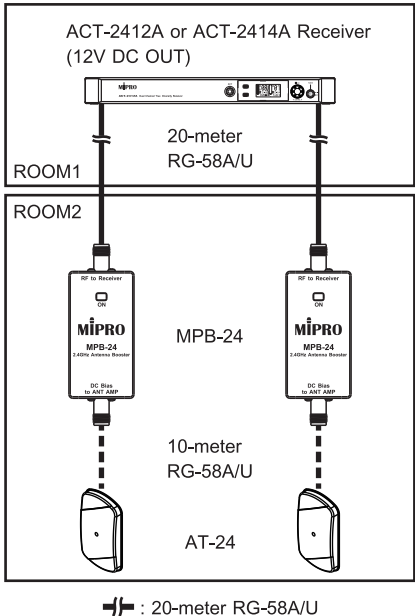


Fig. 2

2. Long Cable Set-Up. Fig. 3:

ACT-2412A or ACT-2414A Receiver
(12V DC OUT)

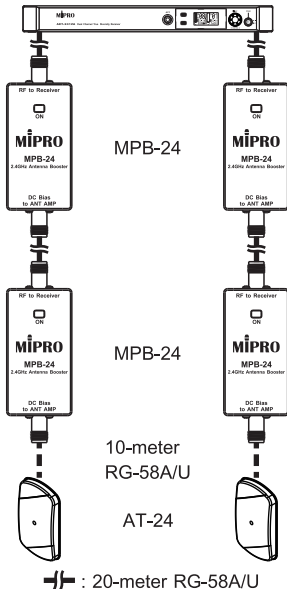


Fig. 3

3. Multiple Receivers. Fig. 4:

ACT-2412A or ACT-2414A Receiver
(12V DC OUT)

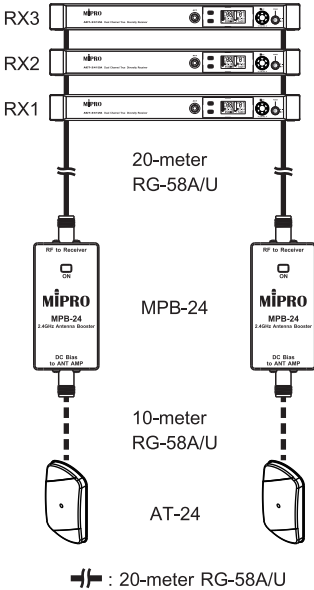


Fig. 4

III. MPB-58 Application

General Environment. Fig. 5:

Receiver ACT-5812A or ACT-5814A
(12V DC OUT)

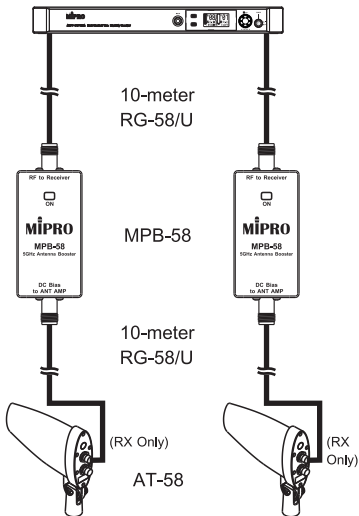


Fig. 5

IV. Cable Connection Recommendation

1. 20-meter RG-58A/U cable with MIPRO MPB-24 antenna booster connection is highly recommended for enhanced signal strength boost.
2. 10-meter RG-58/U cable with MIPRO MPB-58 antenna booster connection is highly recommended for enhanced signal strength boost.
3. Insufficient or exceeding signal strength will occur if the cable used is too long or too short.
4. Note: Refer to the actual product in the event of product description discrepancy.

Disposal



2005-08-13

Dispose of any unusable devices or batteries responsibly and in accordance with any applicable regulations.

Disposing of used batteries with domestic waste is to be avoided!

Batteries / NiCad cells often contain heavy metals such as cadmium(Cd), mercury(Hg) and lead(Pb) that makes them unsuitable for disposal with domestic waste. You may return spent batteries/ accumulators free of charge to recycling centres or anywhere else batteries/accumulators are sold.

By doing so, you contribute to the conservation of our environment!

MIPRO[®]
MICROPHONE PROFESSIONALS



All rights reserved. Do not copy or forward without
prior approvals of MIPRO. Specifications and design
subject to change without notice. YM 022/09

MIPRO Electronics Co., Ltd

Headquarters: No. 814, Beigang Rd., Chiayi City 600079, Taiwan
Tel : +886.5.238.0809 Fax : +886.5.238.0803
www.mipro.com.tw mipro@mipro.com.tw



2 CE573A