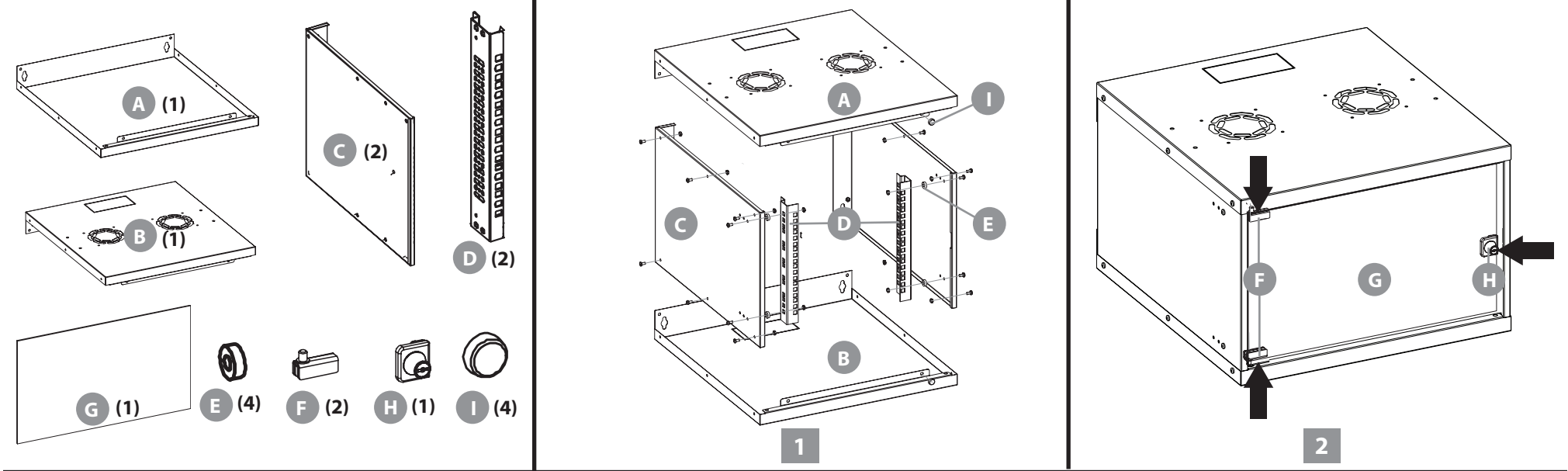


19" Basic Wallmount Cabinet Instructions



STEPS

Cabinet Assembly

1 Place the bottom cover (A) at the desired location.

Use M5 screws to:

2 install the side panels (C).

3 install the top cover (B) onto the side panels.

4 affix rail feet (E) and then rails (D) to the side panels inside the cabinet.

Door Assembly

DO NOT OVERTIGHTEN SCREWS WHEN SECURING HINGES OR LOCK TO GLASS DOOR.

5 Remove rubber stoppers from the door hinges (F) and place them at the desired locations on the glass door (G).

6 Place rubber cushioning feet (I) at top and bottom door stops.

7 Replace door hinges over stoppers. Install glass door to cabinet.

8 Attach lock (H) to the glass door.