

NEW YORK-W

1-Phase trackspot

Max. Load: 1x 50W Mr16 (51-IRC) GU5.3

Ordernr: A0320012

Housing: Aluminium

Colour: white powder-coated (RAL 9003)

Weight: 0.2 Kg

Dimensions fixture: 90 x 112 mm

Included build-in transforme 230V AC/12V AC
excluded lamp

Operating Power: 220V-240V AC

Classification: IP-20 Class III

Available lamps:

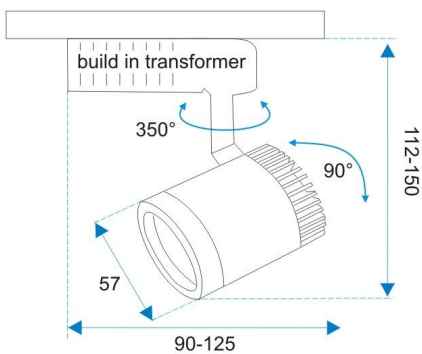
20W with 10° / 24° / 36° / 60° reflector 3000K

35W with 10° / 24° / 36° / 60° reflector 3000K

50W with 10° / 24° / 36° / 60° reflector 3000K



Dimensions in mm



Track-adapter with build in transformer

