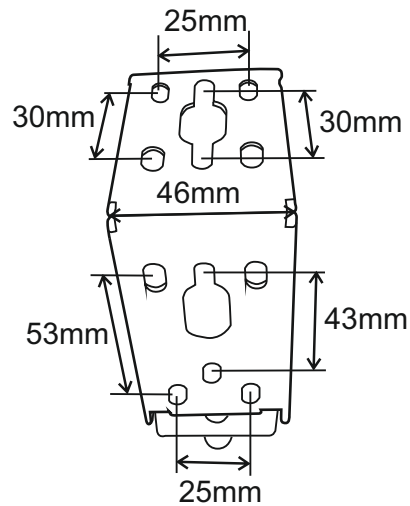
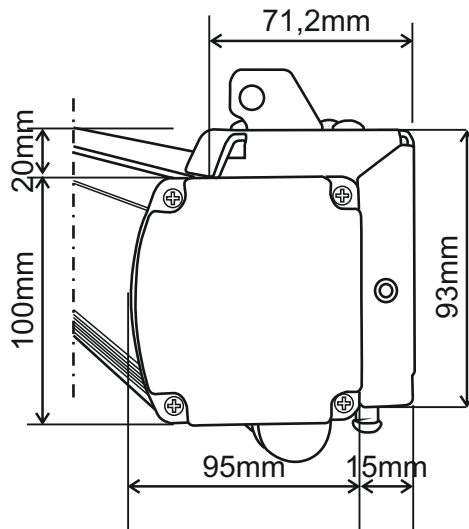


14 Kg



ENGLISH

Proscreen Electric 106" 16:9 V1

Ordercode: 100367